

Optimum™ Mortice Lock, 2-Point Apex Turn Set

ASSA ABLOY

The global leader in
door opening solutions

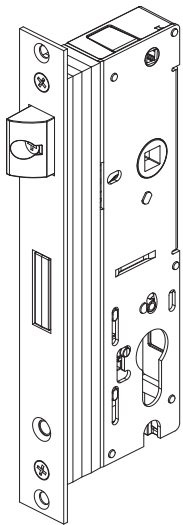
Installation Instructions

Application: Provides secure deadlocking for aluminium or timber hinged doors.

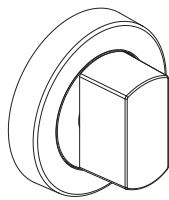
Tools Required:

- Drill
- 2.9mm Drill Bit
- 3.2mm Drill Bit
- 20mm Drill Bit
- Square Screwdriver #1

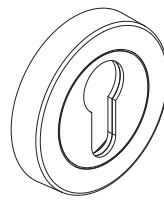
Pack Contents



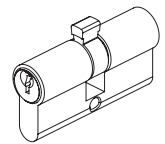
2-Point Lock



Turn (x 2)

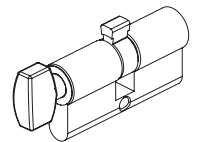


Cylinder Escutcheon (x 2)



Cylinder Double Key

or



Cylinder Key & Turnknob



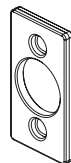
M5 Cylinder Fixing Screw



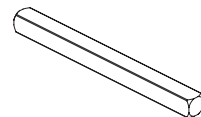
6g x 16mm Screws (x 16)



8g x 7.5mm Screws (x 2)



2mm Latch Packer



92mm Drive Bar
(Spindle)



Latch Wear Pad

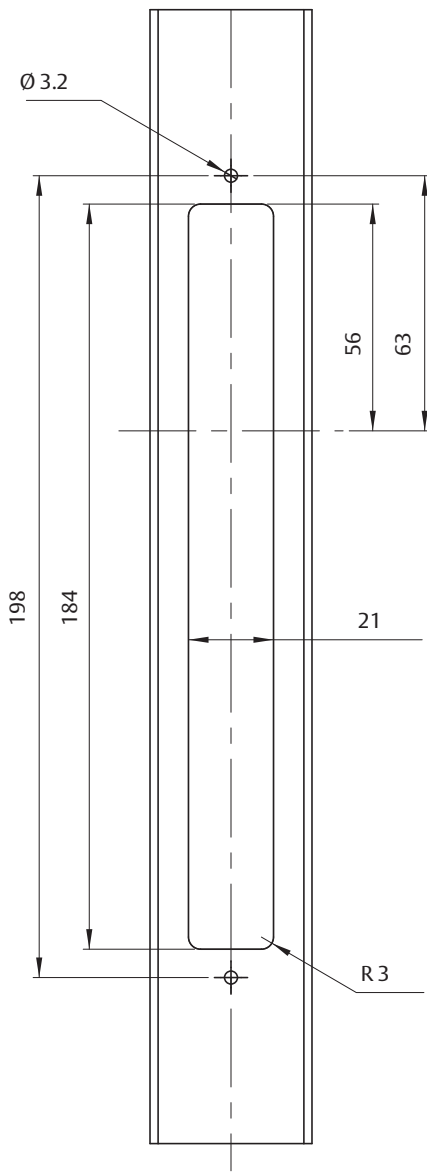
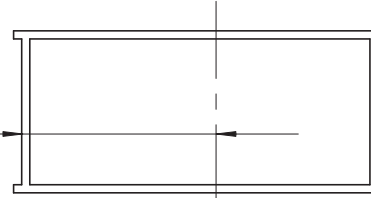
1. Door Preparation

Route the door as shown in the routing diagram.

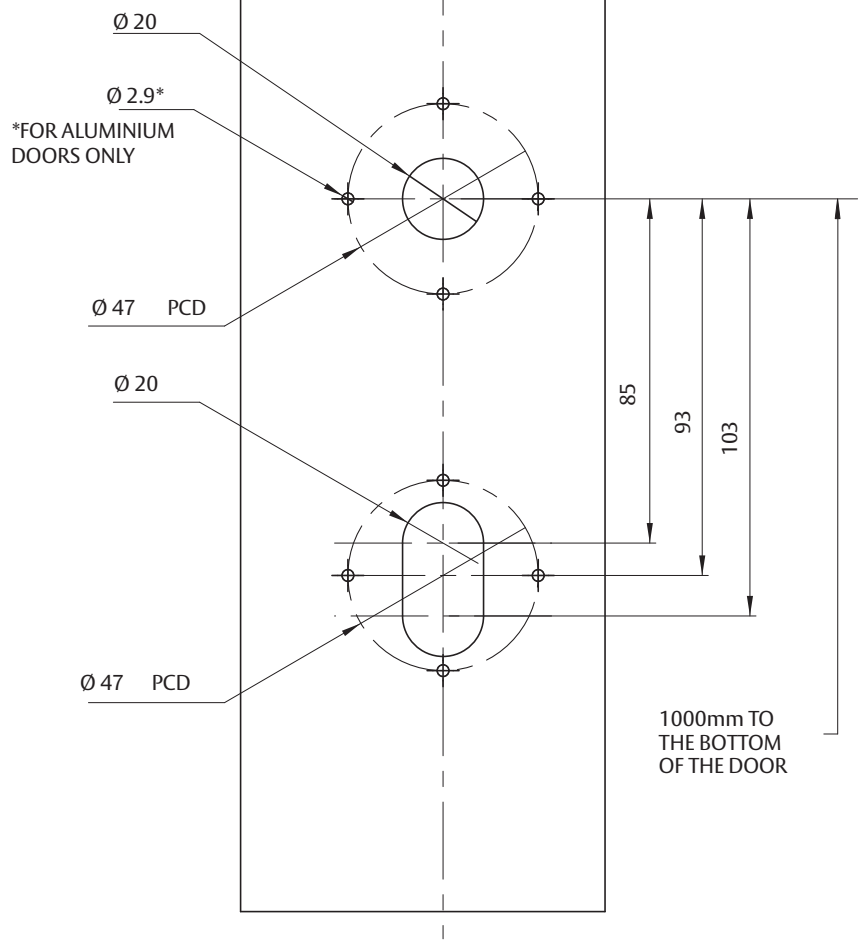
50mm Backset Routing is 48mm from Face

60mm Backset Routing is 58mm from Face

TOP VIEW OF STILE



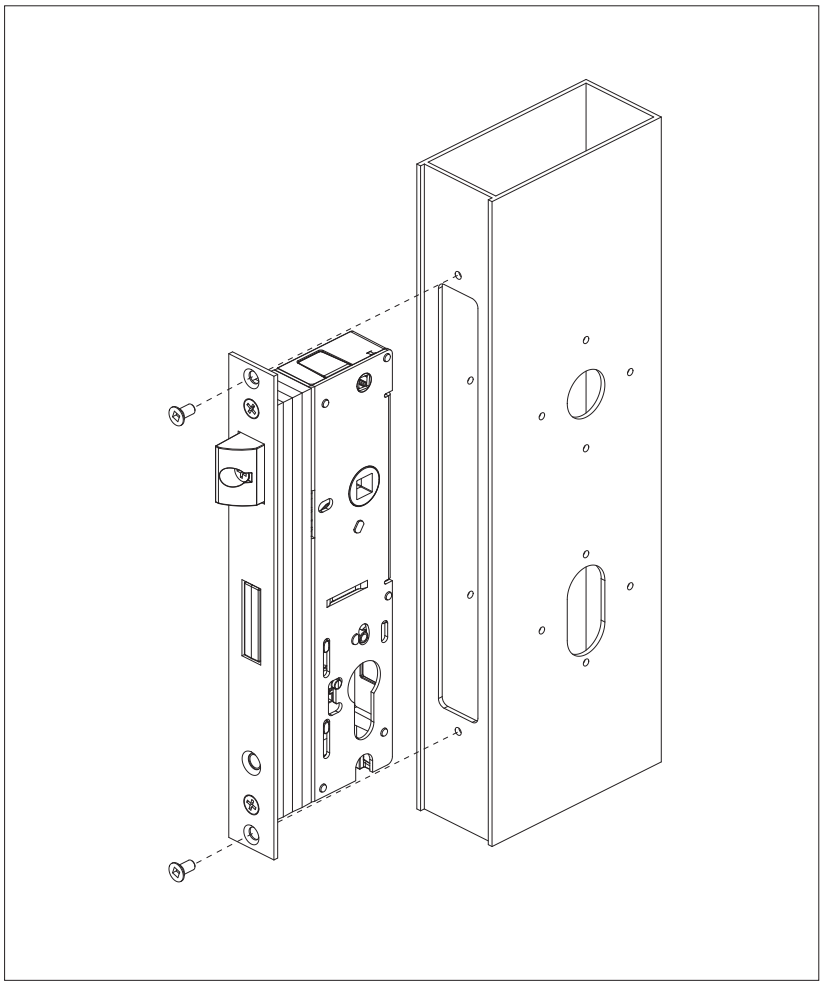
FRONT VIEW OF STILE



SIDE VIEW OF STILE

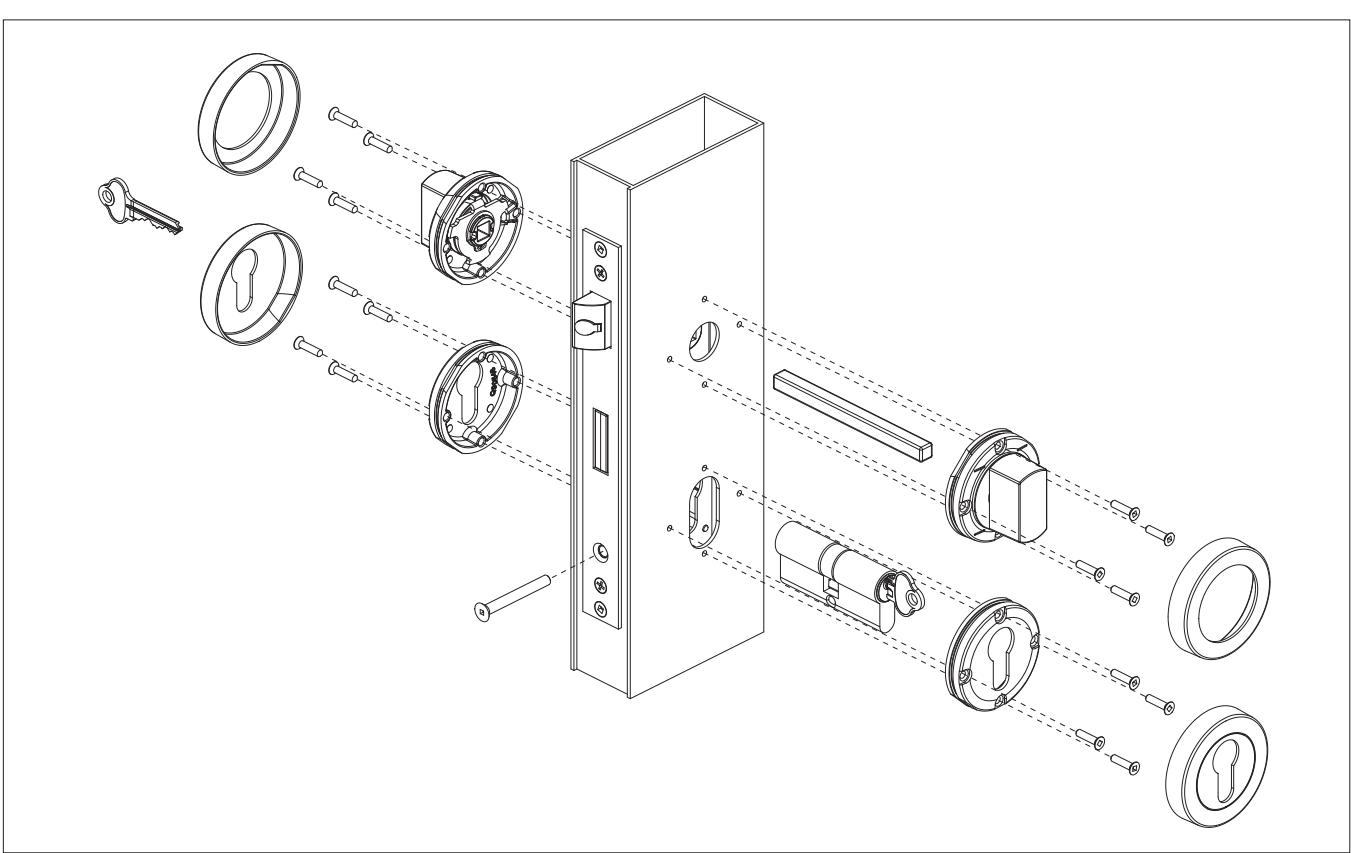
*FOR ALUMINIUM DOORS ONLY

1000mm TO THE BOTTOM OF THE DOOR



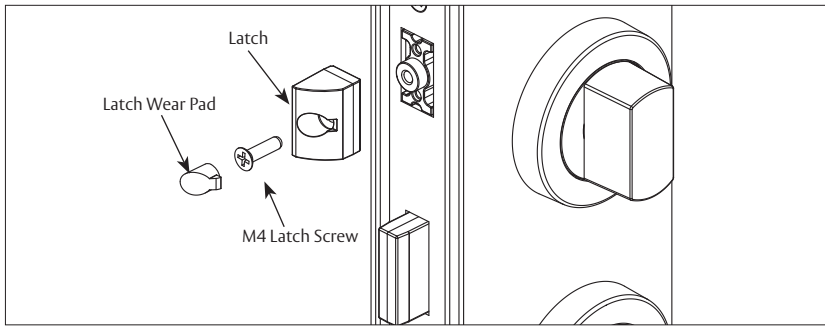
2. Fixing Lock

- Place the lock assembly into the stile
- Fix the lock onto the stile using the two 8g x 7.5 screws



3. Fixing Furniture and Cylinder

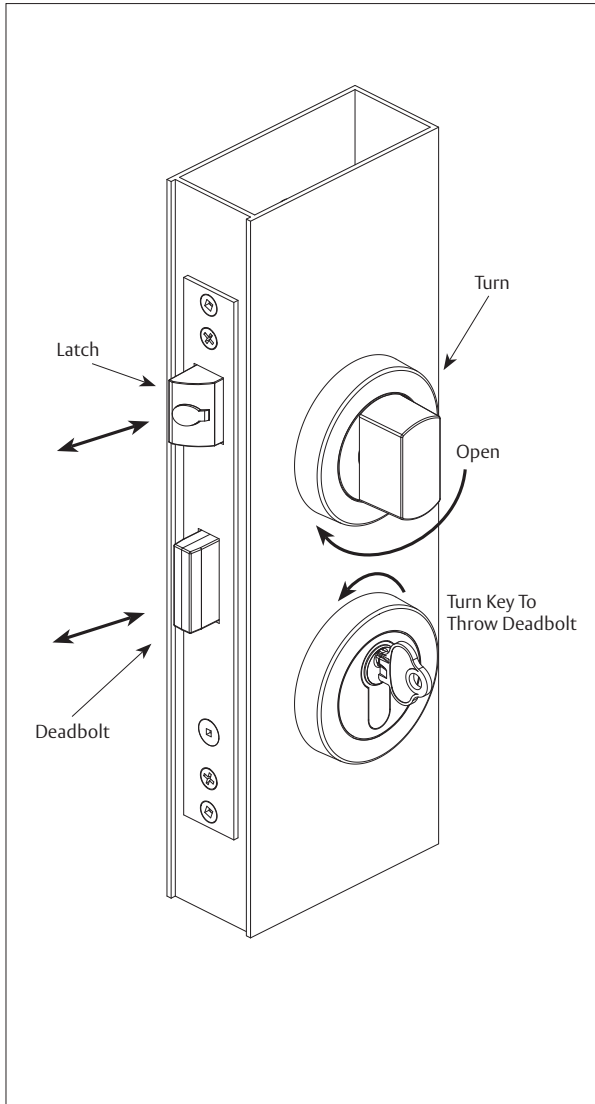
- Insert the drive bar (spindle) through the square drive hole in the lock
- Place the turn furniture onto the drive bar. Fix internal rose to stile using four 6g x 16mm screws. Repeat on external side of the stile
- Place the cylinder through the cylinder hole
- Fix cylinder using the M5 cylinder fixing screw as supplied
- Place the euro escutcheon rose over the cylinder and fix to stile using four 6g x 16mm screws. Repeat for external rose
- Place covers over turn and cylinder rose



4. Latch Reversal

- Undo the M4 latch screw
- Reverse the latch as desired
- Replace the M4 latch screw to secure the latch
- Insert the latch wear pad

Note: 2mm Latch Packer is provided to allow for latch projection adjustment. An additional 2mm packer is available for purchase.



5. Lock operation

Deadlocking Operation

- Pull the door shut. The door will self-latch
- Turn the key towards the edge of the door to deadlock
- The door is now secure from exterior and interior

Opening Operation

- Turn the key away from the door edge to deactivate the deadlock
- Rotate the turn to retract the latch

Troubleshooting

Do I need to tap holes?	No. All screws are self tapping.
Do I have to use the supplied screws?	For best performance, it is recommended that only the supplied screws are used.
The key function does not operate.	Ensure the motion of the latch is not restricted.

WARRANTY

ASSA ABLOY New Zealand Ltd ("ASSA ABLOY") guarantees its products against defects in workmanship and materials.

If within 10 years of purchase a product is found to be defective, ASSA ABLOY will supply the same or equivalent product free of charge.

All electrical and electronic components used in ASSA ABLOY's range of products excluding batteries are guaranteed for a period of 12 months from the date of proof of purchase, unless stated otherwise.

ASSA ABLOY assumes no liability under the guarantee for the following:

1. Improper installation or failure to follow fitting instructions.
2. Failure due to improper maintenance.
3. Fair wear and tear.
4. Indirect or consequential loss or damage.
5. Cost of removal and/or replacement.
6. Cost of freight and/or travelling time.
7. Damage to or deterioration of plated finishes (soft finishes). As deterioration is possible under some environmental conditions, these finishes are excluded from this guarantee.
8. Any modification or repairs to a product, as supplied, unless authorised by ASSA ABLOY.
9. Use of replacement parts other than authorised parts.
10. Malfunction or failure of the product due to the use of non-genuine ASSA ABLOY parts.

Nothing in the ASSA ABLOY New Zealand Limited Warranty excludes, restricts or modifies any condition, warranty, right or liability implied or protected by law where to do so would render the Warranty, or any part of it, void.

10
YEAR
WARRANTY

